

SANITARY HOSES

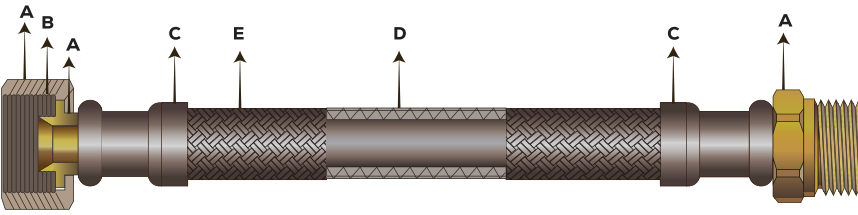


SANITARY HOSES



Diameter	Outer Diameter	Inner Diameter
DN6	10.5	7.4
DN8	11.8	8.4
DN10	13.5	9.5
DN13	16.8	12.5
DN18	25.5	19.1
DN25	32	24

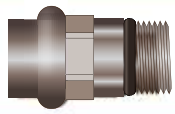
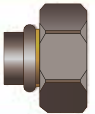
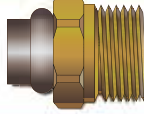
Technical Data
Work Pressure: 10 bar
Work Temperature: 0°C - 90°C
Diner Water: Yes



Material Specification	
ITEM	MATERIAL
A	Brass
B	Silicone, EPDM
C	S.S304
D	PEX, EPDM
E	S.S304, Nylon

Material

ACCESSORIES

NIPPLE	NUT	EXTERNAL TEETH
		
M8X1	F1/4	M1/4
M10X1	F3/8	M3/8
M15X1	F1/2	M1/2
M16X1	F3/4	M3/4
T10	F1	M1
T12	F1ELBOW	15mm
T15	F3/8ELBOW	22mm
	F3/4ELBOW	
	F1/2ELBOW	

SANITARY HOSES



PG-FLXH-675



PG-FLXH-676



PG-FLXH-677



PG-FLXH-678



SHOWER HOSES

PG-FLXH-679



PG-FLXH-680



PG-FLXH-681



PG-FLXH-682



PG-FLXH-683



PG-FLXH-684

